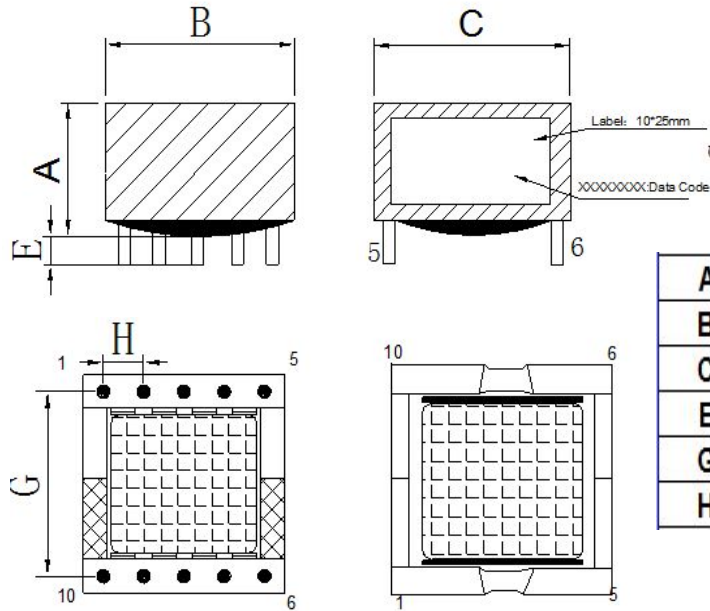


CUSTOMER TERMINAL	ROHS	Lead(Pb)-free
	YES	YES

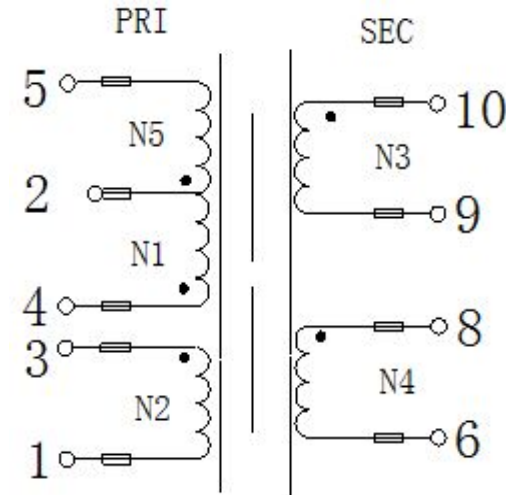


1.Mechanical Dimensions



A	16.0	MAX
B	28.0	MAX
C	26.6	MAX
E	3.0	±0.5
G	22.5	±0.4
H	5.0	±0.3

2.Schematic Diagram



3.Material List

Core:FW44 EFD25/25/9
 Bobbin:FWB2506(5+5PIN)
 Wire:2UEW TIW
 Operating Temperature: -30 to115 °C

4.Electrical Specification

Inductance : L(4-5):1.1mH±5% 40KHZ , 1.0V
 Leakage Inductance : 30uH MAX 40KHZ , 1.0V
 DCR : (4-5)=3.3Ω MAX (10-9)=127mΩ MAX
 Hi-Pot:P-S: AC 60Hz 4000V 1mA 3S
 S-CORE: AC 60Hz 4000V 1mA 3S

REV.	DATE	 Convention Placement	DRW.	Drawing Title:	Part No:		
0	00/00		CHK.			TRANSFORMER	FWPTEFD25H112J
			APP.			Customer P/N	Specification Sheet 1of 1
ROHS		www.ferriwo.com					